



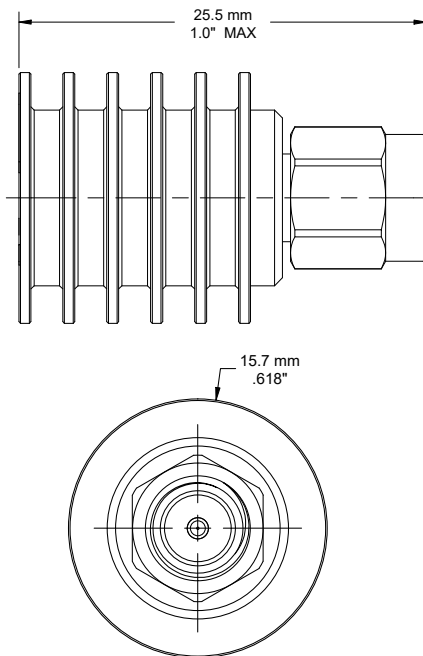
# DC - 12.5 GHz.

# Model: CTRM6-DC-12R5G



P3's Coaxial Terminations are convection cooled and can handle full rated power at 25 degrees C, and have an operating temperature range of -55 to +125 degrees C. These terminations are commonly integrated with antenna and transmitter systems as dummy loads. Other common applications are for multi-port RF/Microwave devices such as Circulators/ Isolators and Directional Couplers or to terminate any 50 ohm impedance port for matching or external power dumping. The CTRM6-DC-12R5G termination's average power is 6 watts over the frequency range of DC-12.5 GHz. and exhibits low VSWR across the band with excellent power capacity in pulse applications.

### Outline



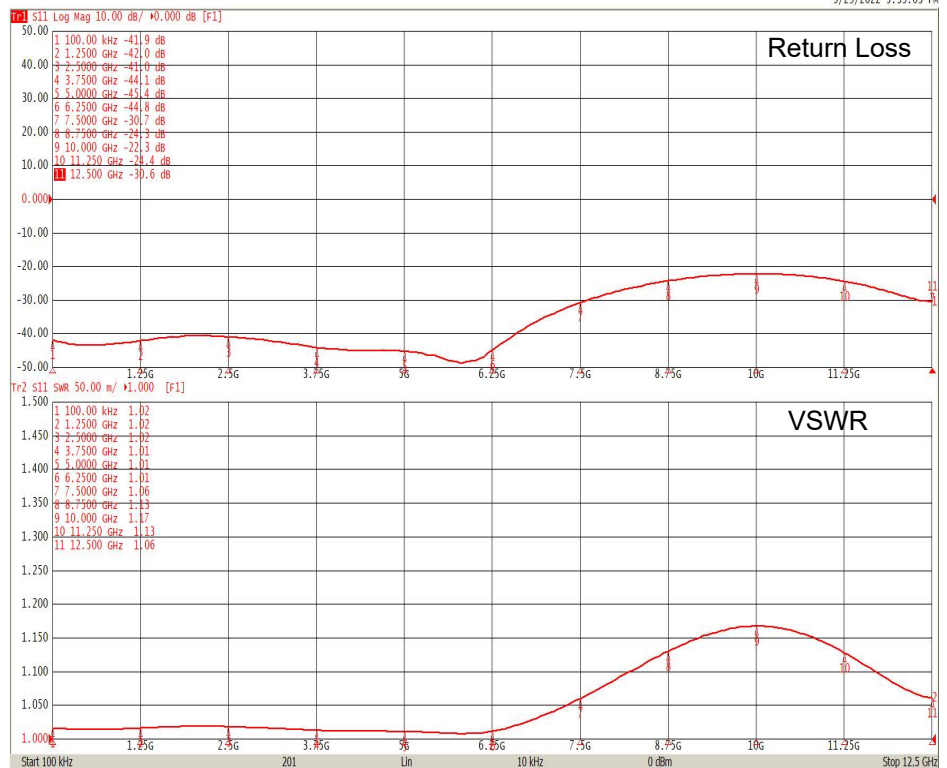
### ENVIRONMENTAL SPECIFICATION

Thermal Shock: MIL-STD-202, Method 107, Condition B  
 Moisture Resistance: MIL-STD-202, Method 106  
 Salt Fog Test: MIL-STD-202, Method 101, Condition B  
 Vibration: MIL-STD-202, Method 204, Condition D  
 Shock: MIL-STD-202, Method 213, Condition I  
 Connectors: MIL-STD-348A

### ELECTRICAL SPECIFICATION

Frequency Range: DC - 12.5 GHz.  
 Impedance: 50 Ω  
 DC Resistance: 50 Ω ±5%  
 Average Power: 6 W at 25° C, 0.5 W at +125° C  
 Peak Power: 0.5KW (5µs pulse, 1% duty cycle)  
 VSWR: <1.2:1 Typ./1.3:1 Max.  
 Operating Temp.: -55° C to +125° C

### Performance Data



### MECHANICAL SPECIFICATION

Connector: SMA Male or Female MIL-C-39012  
 Connector Gender: CTRM = Male, CTRF = Female  
 Center Contact: Beryllium Copper, Gold Plated  
 Body: Aluminum, Black Anodized  
 Weight: 10 grams  
 Storage Temp.: -55° C to +125° C

Specifications subject to change without notice

For more information Contact Sales: [sales@p3-rf.com](mailto:sales@p3-rf.com)